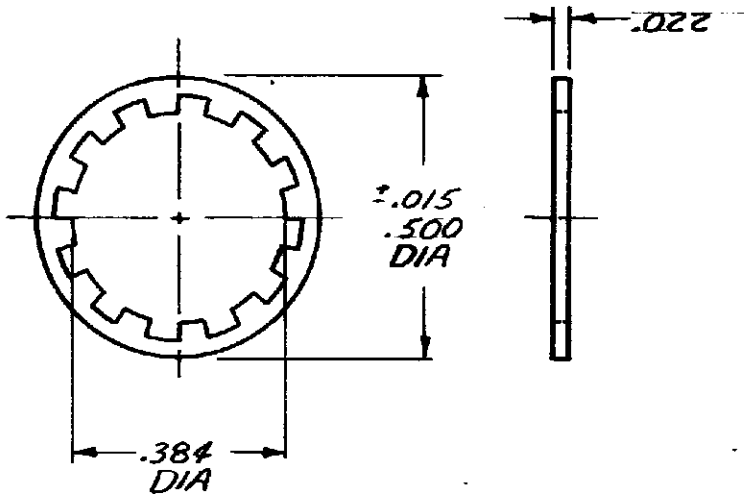


MADE IN THIRD ANGLE PROJECTION

16

RELEASED FOR PUBLICATION AUG 77
 BY AMP INCORPORATED, HARRISBURG, PA. ALL INTERNATIONAL RIGHTS RESERVED. AMP PRODUCTS MAY BE COVERED BY U.S. AND FOREIGN PATENTS AND/OR PATENTS PENDING.

REVISIONS					
P	F	LTR	DESCRIPTION	DATE	APPROVED
✓		C	REDRAWN	082-962	8-17-82 RLF



PART NO

DIMENSIONS UNLESS OTHERWISE SPECIFIED IN INCHES.
 FINISHES ON:
 SURFACES ±.008
 HOLES ±.005

CONTRACT NO
 DR *Michael Smith 8/1/82*
 DESIGNED BY *P.E. Pollock 8-16-82*
 APPD *R. J. ... 8/1/82*
 APPROV *Michael Smith 8/1/82*
 DSGN APPD
 OTHER APPD

AMP | AMP INCORPORATED
 Harrisburg, Pa. 17185

MATERIAL
 S57
 (90-5-766)

NAME
 LOCKWASHER

FINISH
 NICKEL PL
 (90-11-290)

SIZE **A** FSCM NO **00779** DRAWING NO **1-329492-1**
 SCALE **NTS** SHEET

AMP 1489-32 REV 2-81

CUSTOMER DRAWING